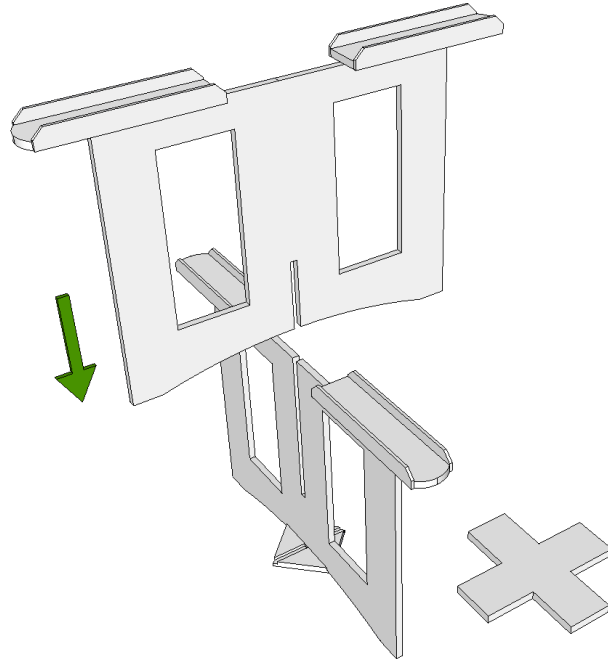


Assembly Instructions

---

1



2

